

Kerabit Protect

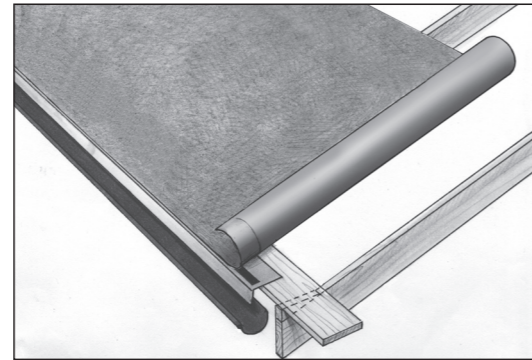
Diffusion-open underlay

Installation

Kerabit Protect is a diffusion-permeable underlayment that can be installed directly onto the surface of thermal insulation. However, a provision must be made for a ventilation gap between the roofing and the underlay.

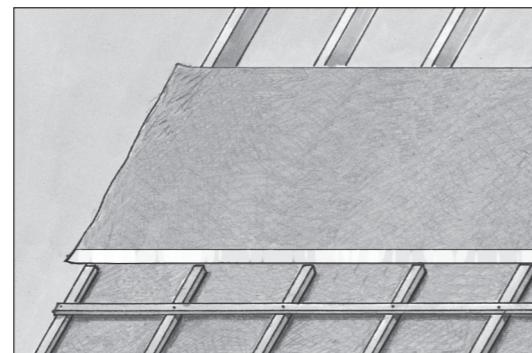
Kerabit Protect underlay can be used up to an inclination of 15 degrees. Tightness can be ensured by glueing the seams with a mesh-reinforced Kerabit Butyl Strip, laid between the lengths of the underlay, or by glueing Isola Wind Barrier Tape over the seams. The overlaps must be at least 15 cm.

Kerabit Protect is installed longitudinally, starting from the eaves. Before the installation of the first length of the underlay, a supportive board and an eave flashing must be installed on the lower section of the roof plane.



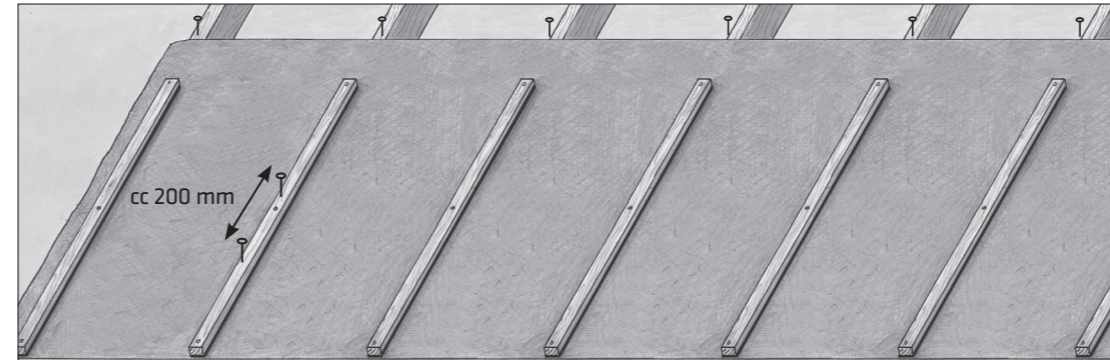
Installing the first membrane

Roll open the first membrane at the lower part of the roof, leave it hanging by approximately 20 to 30 mm and fasten it with clout nails here and there to the roof trusses. Fasten the lower part of the membrane to the eaves flashing with a mesh-reinforced Kerabit Butyl Strip.



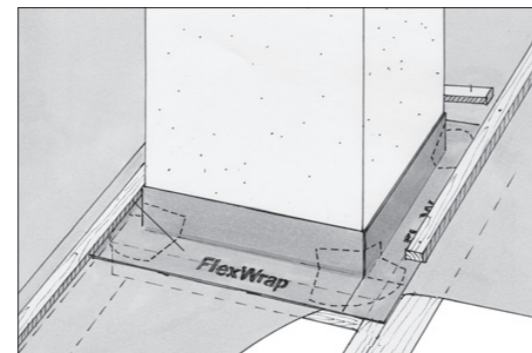
Securing the seams

Install a Kerabit Butyl Strip between the membranes or glue Isola Windbarrier tape on the seam (in the drawing). Continue installing ventilation battens, laths, and underlay in the same manner.



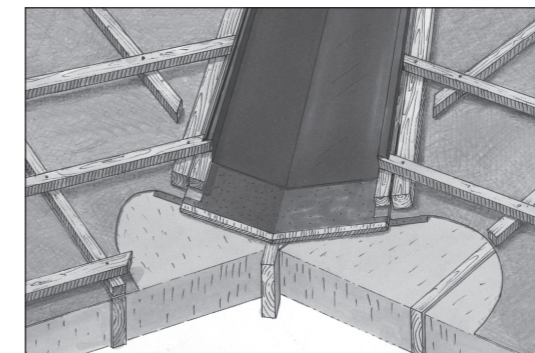
Ventilation battens and laths

Install the underlay, ventilation battens, and laths so that the underlay hangs slightly between the roof trusses. Glue Kerabit Butyl Strip to the bottom surfaces of the ventilation battens to ensure tightness. Remove the protective film from the bottom surface of the butyl strip before fastening the battens. Use hot galvanized wire nails to fasten the ventilation battens (nail interval approximately 200 mm). To fasten the laths, two hot galvanized wire nails are used at every fixing point.



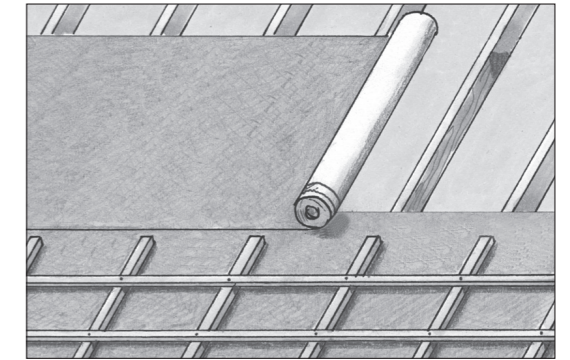
Lead-throughs

The lead-throughs are supported between the roof trusses. Supporting is implemented before the underlay is installed. Chimneys and other large lead-throughs are secured with elastic FlexWrap sealing tape.



Mitre-cuts

The bottom of a mitre-cut is made of OSB board or rough tongue and groove boarding. Install the Kerabit 2500 UB underlay over the underlying structure.



The subsequent membranes

Roll open the subsequent membrane so that it overlaps the previous membrane by 15 cm.

For more information on Kerabit products:
tuotteet.kerabit.fi/en